



**Skill Development Centre,
Agricultural Engineering College and Research Institute,
Kumalur,
Trichy-621 712,
Tamil Nadu, India.**

Tender Schedule for the supply of Drip and Sprinkler irrigation and Automation units

SEALED TENDERS
UNDER TWO COVER SYSTEM (TECHNICAL AND PRICE)
(as per Tamil Nadu Tender Transparency Act)

Tender reference	Last date and time for Receipt of bids	Time and date of opening of Technical bids	Time and date of Pre-bid meeting	Bid Security (EMD) (Rs.)
Dean/AEC&RI/ KUM/SDC/Purchase of Drip and sprinkler irrigation and automation units /2016 dt 22.09.2016	13.10.2016; 11.00 AM	13.10.2016; 11.30 AM	05.10.2016; 10.00 AM onwards	Rs. 17,000/-

***Tender document fee: Tender document fee is free of cost, if down loaded from the website viz.,**

<http://tenders.tn.gov.in>

<https://sites.tnau.ac.in/tenders/>

<https://sites.google.com/a/tnau.ac.in/aecrikum/tenders>

Tender Schedule

TAMIL NADU AGRICULTURAL UNIVERSITY

Skill Development Centre,
Agricultural Engineering College and Research Institute,
Kumalur, Trichy-621 712.

E-mail deancaekum@tnau.ac.in
Phone 0431-2545000, 2545001
Web address <http://tenders.tn.gov.in>
 <https://sites.tnau.ac.in/tenders/>
 <https://sites.google.com/a/tnau.ac.in/aecrikum/tenders>

SECTION I: INVITATION FOR BIDS (IFB)

Sealed Tenders under two cover system (**Technical bid and Price bid**) in duplicate will be received till 10 AM **on 13.10.2016** by the **The Dean, Agricultural Engineering College and Research Institute, Tamil Nadu Agricultural University, Kumalur, Trichy-621 712** for the supply, Drip and sprinkler irrigation and automation units

1. Interested eligible Bidders may obtain further information from the office of **The Dean, Agricultural Engineering College and Research Institute, Tamil Nadu Agricultural University, Kumalur, Trichy-621 712** Tamil Nadu, India.
2. Bidding documents (and additional copies) may be obtained/ from **The Dean, Agricultural Engineering College and Research Institute, Tamil Nadu Agricultural University, Kumalur, Trichy-621 712** and downloaded from <http://tenders.tn.gov.in> or <https://sites.tnau.ac.in/tenders/> or <https://sites.google.com/a/tnau.ac.in/aecrikum/tenders> from **24.09.2016 to 13.10.2016**.
3. The bidding document may be obtained directly also by executing the non-refundable fee during office hours from **9.00 AM to 5.00 PM** on all working days.
 - a) Last date and time for Receipt of bids : **13.10.2016, 11.00 AM**
 - b) Time and date of Opening of Technical bids : **13.10.2016, 11.30 AM**
 - c) Place of opening of bids : Office of the Dean,
Agricultural Engineering College and Research Institute,
Tamil Nadu Agricultural University,
Kumalur, Trichy-621 712.
 - d) Address for communication : The Dean,
Agricultural Engineering College and Research Institute,
Tamil Nadu Agricultural University,

Kumalur, Trichy-621 712.

Tender reference	Work Particulars	Estimated cost (Rs)	Bid Security (EMD) (Rs.)	Cost of Tender form
Dean/AEC&RI/ KUM/SDC/ Purchase of Drip and sprinkler irrigation and automation units /2016 dt 22.09.2016	Supply of Drip and sprinkler irrigation and automation units	17.0 lakhs	Rs. 17,000/-	Nil
Period of Completion	Within 2 months from the date of issue of supply order			

4. Bid documents can also be downloaded at **free of cost** from the following websites

<http://tenders.tn.gov.in>

<https://sites.tnau.ac.in/tenders/>

<https://sites.google.com/a/tnau.ac.in/aecrikum/tenders>

5. All bids must be accompanied by a bid security as specified in the bid document and must be delivered to the above office at the date and time indicated above.
6. Bids will be opened in the presence of Bidders' representatives, who choose to attend on the specified date and time.

Section II: Instructions to Bidders

Table of Clauses

Clause no.	Topic number
A. Introduction	
1.	Eligible Bidders
2.	Cost of Bidding
B. Bidding Documents	
3.	Contents of Bidding Documents
4.	Clarification of Bidding Documents
5.	Amendment of Bidding Documents
C. Preparation of Bids	
6.	Language of Bid
7.	Documents Comprising the Bid
8.	Bid Form
9.	Bid Prices
10.	Bid Currencies
11.	Documents Establishing Bidder's Eligibility and Qualifications
12.	Documents Establishing Goods Conformity to Bid Documents
13.	Bid Security
14.	Period of Validity of Bids
15.	Format and Signing of Bid
D. Submission of Bids	
16.	Sealing and Marking of Bids
17.	Deadline for Submission of Bids
18.	Late Bids
19.	Modification and withdrawal of Bids
E. Bid Opening and Evaluation	
20.	Opening of Bids
21.	Clarification of Bids
22.	Preliminary Examination
23.	Evaluation and Comparison of Bids
24.	Contacting the Purchaser
F. Award of Contract	
25.	Post-qualification
26.	Award Criteria
27.	Purchaser's Right to Vary Quantities at Time of Award
28.	Purchaser's Right to Accept any Bid and to Reject any or all Bids
29.	Notification of Award
30.	Signing of Contract
31.	Performance Security

Section II: Instruction to Bidders (ITB)

A. Introduction

1. Eligible Bidders

- 1.1 Manufacturers or their authorized representatives are eligible to participate in this tender.
- 1.2 Bidders should not be associated, or have been associated in the past, directly or indirectly, with a firm or any of its affiliates which have been engaged by the Purchaser to provide consulting services for the preparation of the design, specifications, and other documents to be used for the procurement of the goods to be purchased under this Invitation of Bids.
- 1.3 Government-owned enterprise may participate only if they are legally and financially autonomous, if they operate under commercial law, and if they are not a dependent agency of the purchaser.

2. Cost of Bidding

- 2.1 The Bidder shall bear all costs associated with the preparation and submission of its bid and **The Dean, Agricultural Engineering College and Research Institute, Tamil Nadu Agricultural University, Kumulur, Trichy-621 712** hereinafter referred to as "*the Purchaser*", will in no case be responsible or liable for these costs, regardless of the conduct or outcome of the bidding process.

B. Bidding Documents

3. Contents of Bidding Documents

- 3.1 The goods required, bidding procedures and contract terms are prescribed in the Bidding documents. In addition to the Invitation for Bids, the Bidding Documents include:
 - a. Instruction to Bidders (ITB)
 - b. General Conditions of Contract (GCC)
 - c. Special Conditions of Contract (SCC)
 - d. Schedule of Requirements;
 - e. Technical Specifications / Qualification criteria;
 - f. Bid Form and Price Schedules;
 - g. Bid Security form
 - h. Contract Form;
 - i. Performance Security Form;
 - j. Performance statement
 - k. Manufacturer's Authorization Form and
 - l. Bank Guarantee for Advance Payment Form

- 3.2 The Bidder is expected to examine all instructions, forms, terms and specifications in the Bidding Documents. Failure to furnish all information required by the Bidding Documents or submission of a bid not substantially responsive to the Bidding Documents in every respect will be at the Bidder's risk and may result in rejection of its bid.

4. Clarification of Bidding Documents

- 4.1 A prospective Bidder requiring any clarification of the Bidding Documents may notify the *Purchaser* in writing or by telex or cable at the *Purchaser's* mailing address indicated in the Invitation for Bids. The *Purchaser* will respond in writing to any request for clarification of the Bidding Documents which it receives not later than 7 days prior to the deadline for submission of bids prescribed by the *Purchaser*. Written copies of the *Purchaser's* response (including an explanation of the query but without identifying the source of inquiry) will be sent to all prospective Bidders which have received the bidding documents.

5. Amendment of Bidding Documents

- 5.1 At any time prior to the deadline for submission of bids, the *Purchaser* may, for any reason, whether at its own initiative or in response to a clarification requested by a prospective bidder, modify the Bidding Documents by an amendment.
- 5.2 All prospective bidders who have received the Bidding Documents will be notified of the amendment in writing or by cable and will be binding on them.
- 5.3 In order to allow prospective bidders reasonable time in which to take the amendment into account in preparing their bid, the *Purchaser* may, at its discretion, extend the deadline for the submission of bids.

C. Preparation of Bids

6. Language of Bid

- 6.1 The Bid prepared by the bidder and all correspondence and documents relating to the bid exchanged by the Bidder and the *Purchaser*, shall be written in the English language. Supporting documents and printed literature furnished by the Bidder may be written in another language provided they are accompanied by an accurate translation of the relevant passages in the English language in which case, for purposes of interpretation of the Bid, the English translation shall govern.

7. Documents Comprising the Bid

- 7.1 The bid prepared by the Bidder shall comprise the following components:
- (a) A Bid Form and Price Schedule completed in accordance with ITB Clauses 8, 9 and 10;
 - (b) Documentary evidence established in accordance with ITB Clause 11 that the Bidder is eligible to bid and is qualified to perform the contract if its bid is accepted;
 - (c) Documentary evidence established in accordance with ITB Clause 12 that the goods and ancillary services to be supplied by the Bidder shall conform to the Bidding Documents; and
 - (d) Bid Security furnished in accordance with ITB Clause 13.

8. Bid Form

- 8.1 The Bidder shall complete the Bid Form and the appropriate Price Schedule furnished in the bidding documents, indicating for the goods to be supplied, a brief description of the goods, their country of origin, quantity and prices.

9. Bid Prices

- 9.1 The Bidder shall indicate on the Price Schedule the unit prices and total Bid prices of the goods it proposes to supply under the Contract.
- 9.2 Prices indicated on the Price Schedule shall be entered separately in the following manner:
- (i) The price of the goods, quoted ex-factory, ex-show-room, ex-warehouse, or off the- shelf, or delivered, as applicable, including all duties and sales and other taxes already paid or payable:
 - a. on components and raw material use in the manufacture or assembly of the goods quoted ex-factory; or
 - b. on the previously imported goods of foreign origin quoted ex-showroom, ex-warehouse or off-the-shelf.
 - (ii) Any purchaser-country sales and other taxes which will be payable on the goods if this contract is awarded;

- (iii) Charges for inland transportation, insurance and other local costs incidental to delivery of the goods to their final destination; and
- (iv) The cost of incidental services listed in Clause 7 of the Special Conditions of Contract.

9.3 The Bidders separation of the price components in accordance with ITB Clause 9.2 above will be solely for the purpose of facilitating the comparison of bids by the *Purchaser* and will not in any way limit the *Purchaser's* right to contract on any of the terms offered.

9.4 **Fixed price:** Prices quoted by the Bidder shall be fixed during the Bidder's performance of the contract and not subject to variation on any account. A bid submitted with an adjustable price quotation will be treated as non-responsive and rejected, pursuant to ITB Clause 22.

10. Bid Currencies

10.1 Prices shall be quoted in Indian Rupees/ Foreign currency

11. Documents establishing bidder's eligibility and qualifications

11.1 Pursuant to ITB Clause 7, the bidder shall furnish, as part of its bid, documents establishing the bidder's eligibility to bid and its qualifications to perform the Contract if its bid is accepted.

11.2 The documentary evidence of the Bidder's qualifications to perform the Contract if its bid is accepted, shall establish to the *Purchaser's* satisfactions.

(a) that, in the case of a Bidder offering to supply goods under the contract which the Bidder did not manufacture or otherwise produce, the Bidder has been duly authorised (as per authorization form in Section XII) by the goods manufacturer or produce to supply the goods in India.

(b) that the bidder has the financial, technical and production capability necessary to perform the Contract and meets the criteria outlined in the qualification requirements specified in Section VI-A. To this end, all bids submitted shall include the following information:

- (i) The legal status, place of registration and principle place of business of the company or firm or partnership, etc;
- (ii) Details of experience and past performance of the bidder one equipment offered and on those of similar nature within the past five years and details of current contracts in hand and other commitments (suggested proforma given in Section XI)

12. Documents establishing goods conformity to bidding documents

12.1 Pursuant to ITB Clause 7, the Bidder shall furnish, as part of its bid, documents establishing the conformity to the bidding documents of all goods and services which the bidder proposes to supply under the contract.

12.2 The documentary evidence of conformity of the goods and services to the bidding documents may be in the form of literature, drawings and data and shall consist of:

- (a) A detailed description of the essential technical and performance characteristics of the goods;
- (b) A list giving full particulars, including available sources and current prices, of all spare parts, special tools, etc., necessary for the proper and continued functioning of the goods for a period of three years, following commencement of the goods used by the *Purchaser*; and
- (c) An item-by-item commentary on the *Purchaser's* Technical Specifications demonstrating substantial responsiveness of the goods and services to those specifications or a statement of deviations and exceptions to the provisions of the Technical Specifications.

12.3 For the purpose of the commentary to be furnished pursuant to ITB Clause 12.2 © above, the Bidder shall note that standards for workmanship, material and equipments and references to brand names or catalogue numbers designated by the *Purchaser* in its Technical Specifications are intended to be descriptive only and not restrictive. The Bidder may substitute alternative standards, brand names and/or catalogue numbers in its bid, provided that it demonstrates to the *Purchaser's* satisfaction that the substitutes are substantially equivalent or superior to those designated in the Technical Specifications.

13. Bid Security

13.1 Pursuant to ITB Clause 7, the Bidder shall furnish, as part of its bid, bid security for the amount as indicated in Section V schedule of requirements.

13.2 The bid security is required to protect the *Purchaser* against risk of Bidders conduct which would warrant the security's forfeiture, pursuant to ITB Clause 13.7.

13.3 The bid security shall be in Indian Rupees and shall be in one of the following forms :

- a. A Bank Guarantee or an irrevocable letter of credit issued by a nationalized /scheduled bank located in India, in the form provided in the bidding document or any other form acceptable to the purchaser and valid for 45 days beyond the validity of the bid; or
- b. A demand draft on any scheduled / nationalized bank in favour of **The DEAN, Agricultural Engineering College and Research Institute, Tamil Nadu Agricultural University, Kumulur, Trichy-621 712 payable at Lalgudi.**

13.4 Any bid not secured in accordance with ITB Clauses 13.1 and 13.3 above will be rejected by the *Purchaser* as non-responsive, pursuant to ITB Clause 22.

13.5 Unsuccessful bidders bid security will be discharged/returned as promptly as possible but not later than 30 days after the expiry of the period of bid validity prescribed by the *Purchaser*, pursuant to ITB Clause 14.

13.6 The successful bidder's bid security will be discharged upon the bidders signing the contract, pursuant to ITB Clause 30, and furnishing the security, pursuant to ITB Clause 31.

13.7 The bid security may be forfeited:

- (a) If a bidder withdraws its bid during the period of bid validity specified by the Bidder on the Bid form;
- (or)
- (b) In case of a successful bidder, if the bidder fails:
 - (i) to sign the contract in accordance with ITB Clause 30; or
 - (ii) to furnish performance security in accordance with ITB Clause 31.

14. Period of Validity of Bids

14.1 Bids shall remain valid for **90 days** after the date of bid opening prescribed by the *Purchaser*, pursuant to ITB Clause 17. A bid valid for a shorter period may be rejected by the *Purchaser* as non-responsive.

14.2 In exceptional circumstances, the *Purchaser* may solicit the bidders consent to an extension of the period of validity. The request and the responses thereto shall be made in writing (or by cable or telex). The bid security provided under ITB Clause 13 shall be suitably extended. A bidder may refuse the request without forfeiting its bid security. A bidder granting the request is not required or permitted to modify its bid.

15. Format and Signing of Bid

- 15.1 The bidder shall prepare two copies of the bid clearly marking each “**Original Bid**” and “**Copy Bid**” as appropriate. In the event of any discrepancy between them, the original shall govern.
- 15.2 The original and all copies of the bid shall be typed or written in indelible ink and shall be signed by the Bidder or a person or persons duly authorized to bind the Bidder to the Contract. The letter of Authorization shall be indicated by written power-of-attorney accompanying the bid. All pages of the bid, except for unamended printed literature, shall be initialed by the person or persons signing the bid.
- 15.3 Any interlineations, erasures or overwriting shall be valid only if they are initialed by the person or persons signing the bid.

D. Submission of Bids

16. Sealing and Marking of Bids

- 16.1 The bidders shall seal the original and a copy of the bid in separate inner envelopes duly marking the envelopes as “**Original Bid**” and “**Copy Bid**”. He shall then place these two inner envelope in an outer envelope.
- 16.2 The inner envelope and outer envelopes and the cover shall be:
- (a) addressed to the *Purchaser* at the following address:
**The Dean,
Agricultural Engineering College and Research Institute,
Tamil Nadu Agricultural University,
Kumalur, Trichy-621 712.**
- (b) bear the project name (“**Tender for the supply of** Drip and sprinkler irrigation and automation units “), the invitation for bids (IFB) number and the words “**Do not open before 11.30 AM on 13.10.2016**”.
- 16.3 The inner envelopes shall indicate the name and address of the bidder to enable the bid to be returned unopened in case it is declared “late”.
- 16.4 If the cover containing the outer envelope is not sealed and marked as required by ITB Clause 16.2, the *Purchaser* will assume no responsibility for the bid’s misplacement or premature opening.
- 16.5 Telex, cable or facsimile bids will be rejected.

17. Deadline for Submission of Bids

- 17.1 Bids must be received by the *Purchaser* at the address specified under ITB Clause 16.2 not later than the time and date specified in the Invitation of Bids (Section I). In the event of the specified date for the submission of bids being declared a holiday for the *Purchaser*, the bids will be received up to the appointed time on the next working day.
- 17.2 The *Purchaser* may, at its discretion, extend this deadline for submission of bids by amending the bid documents in accordance with ITB Clause 5, in which case all rights and obligations of the purchasers and bidders previously subject to the deadline will thereafter be subject to the deadline as extended.

18. Late Bids

18.1 Any bid received by the *Purchaser* after the deadline for submission of bids prescribed by the *Purchaser*, pursuant to ITB Clause 17, will be rejected and/or returned unopened to the Bidder.

19. Modification and Withdrawal of Bids

19.1 The bidder may modify or withdraw its bid after the bids submission, provided that written notice of the modification or withdrawal is received by the *Purchaser* prior to the deadline prescribed for submission of bids.

19.2 The bidders modification or withdrawal notice shall be prepared, sealed, marked and dispatched in accordance with the provisions of ITB Clause 16. A withdrawal notice may also be sent by telex or cable but followed by a signed confirmation copy, post marked not later than the deadline for submission of bids.

19.3 No bid may be modified subsequent to the deadline for submission of bids.

19.4 No bid may be withdrawn in the interval between the deadline for submission of bids and the expiration of the period of bid validity specified by the bidder on the bid form. Withdrawal of a bid during this interval may result in the bidders forfeiture of its bid security, pursuant to Clause 13.7

E. Bid Opening and Evaluation

20. Opening of Bids by Purchaser

20.1 The *Purchaser* will open only all bids, in the presence of bidder's representatives who choose to attend, at 11.30 AM on 13.10.2016 at the following location:

**Office of the Dean,
Agricultural Engineering College and Research Institute,
Tamil Nadu Agricultural University,
Kumulur, Trichy-621 712.**

The bidder's representatives who are present shall sign a register evidencing their attendance. In the event of the specified date of bid opening being declared a holiday for the *Purchaser*, the bids shall be opened at the appointed time and location on the next working day.

20.2 The bidders names, modifications, bid withdrawals and the presence or absence of the requisite bid security and such other details as the *Purchaser*, at its discretion, may consider appropriate will be announced at the opening. No bid shall be rejected at bid opening, except for late bids, which shall be returned unopened to the bidder pursuant to ITB Clause 18.

20.3 The *Purchaser* will prepare minutes of the bid opening.

20.4 The "**Price Bid**" (**Cover B**) will be opened after evaluation of "**Technical bids**" (**Cover A**) and the date and time will be intimated to bidders whose bids are responsive and who are selected by the *Purchaser*.

21. Clarification of Bids

21.1 During evaluation of bids, the *Purchaser* may, at its discretion, ask the bidder for clarification of its bid. The request for clarification and the response shall be in writing. Unless the purchaser asks for change in price due to the clarifications sought the bidder is not permitted to alter the price furnished in the "**Price bid**" "**Cover B**". The change in price shall be submitted in a separately sealed covers with marking in the cover "**supplemental price bid**" before opening of the "**original price bid**".

22. Preliminary Examination

- 22.1 The *Purchaser* will examine the bids to determine whether they are complete, whether any computational errors have been made, whether required sureties have been furnished, whether the documents have been properly signed, and whether the bids are generally in order. Bids from Representatives, without proper authorization from the manufacturer as per Section XII, shall be treated as non-responsive.
- 22.2 Arithmetical errors will be rectified on the following basis. If there is a discrepancy between the unit price and the total price that is obtained by multiplying the unit price and quantity, the unit price shall prevail and the total price shall be corrected. If the supplier does not accept the correction of errors, its bid will be rejected. If there is a discrepancy between words and figures, the amount in words will prevail.
- 22.3 The *Purchaser* may waive any minor informality or non-conformity or irregularity in a bid which does not constitute a material deviation, provided such a waiver does not prejudice or affect the relative ranking of any bidder.
- 22.4 Prior to the detailed evaluation, pursuant to Clause ITB 23, the *Purchaser* will determine the substantial responsiveness of each bid to the bidding documents. For purposes of these clauses a substantially responsive bid is one which conforms to all the terms and conditions of the bidding documents without material deviations. Deviations from or objections or reservations to critical provisions such as those concerning Performance Security (GCC Clause 6), Warranty (GCC Clause 14), Force Majeure (GCC Clause 24), Applicable law (GCC Clause 29) and Taxes and Duties (GCC Clause 31) will be deemed to be material deviation. The purchaser's determination of bids responsiveness is to be based on the contents of the bid itself without recourse to extrinsic evidence.
- 22.5 A bid determined as not substantially responsive will be rejected by the *Purchaser* and may not subsequently be made responsive by the bidder by correction of non-conformity.

23. Evaluation and Comparison of Bids

- 23.1 The *Purchaser* will evaluate and compare bids previously determined to be substantially responsive, pursuant to ITB Clause 22.
- 23.2 The purchasers evaluation of a bid will take into account, in addition to the bid price (exfactory/ ex-warehouse/off-the-shelf price of the goods offered from within India, such price to include all costs as well as duties and taxes paid or payable on components and raw material incorporated or to be incorporated in the goods, and excise duty on the finished goods, if payable) and price of incidental services, the following factors, in the manner and to the extent indicated in ITB Clause 23.3 and in the technical specifications:
- (a)
 - i) cost of inland transportation, insurance and other costs within India incidental to the delivery of goods to their final destination;
 - ii) The **annual maintenance contract for a period of 3 years** subsequent to **comprehensive warranty for a period of three years**
 - (b) delivery schedule offered in the bid;
 - (c) deviations in payment schedule from that specified in the special conditions of contract
 - (d) the availability in India of spare parts and after-sales services for the equipment offered in the bid.

- 23.3 Pursuant to ITB Clause 23.2 the following evaluation methods will be applied:
- (a) Evaluation and comparison of tenders will be done taking in to consideration the cost of AMC for a period of 3 years after the comprehensive warranty for a period of three years as specified at clause 23.2 (a) (ii).
 - (b) Inland transportation, ex-factory/ from port-of-entry, insurance and incidentals.
 - (i) Inland transportation, insurance and other incidentals, for delivery of goods to the project site as stated in ITB Clause 9.2 (iii).
The above costs will also be added to the bid price.
 - (c) Delivery schedule:
The *Purchaser* desires to have delivery of the goods covered under the invitation, at the time specified in the schedule of requirements. The estimated time of the arrival of the goods at the project site should be calculated for each bid after allowing for reasonable transportation time. Treating the bid offering the scheduled time of arrival as the base, a delivery "adjustment" will be calculated for other bids at 2% of the ex-factory price for each month of delay beyond the base and this will be added to the bid price for evaluation. No credit will be given to earlier deliveries and bids offering delivery beyond **2 months** of stipulated delivery will be treated as unresponsive.
 - (d) Deviation in Payment Schedule:
The special conditions of contract indicate the payment schedule offered by the *Purchaser*. If a bid deviates from the schedule and if such deviation is considered acceptable to the *Purchaser*, the bid will be evaluated by calculating interest earned for any earlier payments involved in the terms outlined in the bid as compared to those stipulated in this invitation at a rate of **12%** per annum.
 - (e) Spare parts and after sales service facilities in India:
The cost of the *Purchaser* of establishing the minimum service facilities and parts inventories, as outlined elsewhere in the bid invitation, if quoted separately, shall be added to the bid price.
- (f) Annual Maintenance Contract (AMC):**
- i. The Purchaser desires to have separately annual maintenance contract for a period of 3 years after the expiry, clearly indicating year wise maintenance charges. Bids without these charges will be considered as non responsive. **The right to enter in to AMC lies with the University.**
 - ii. Any major repair pointed out by the *Purchaser* shall be rectified by the Supplier from the date of intimation within a period of 3 calendar days and commission the equipment to the satisfaction of the Purchaser.

24. Contacting the purchaser

- 24.1 Subject to ITB Clause 21, no bidder shall contact the *Purchaser* on any matter relating to its bid, from the time of bid opening to the time the contract is awarded.
- 24.2 Any effort by a bidder to influence the *Purchaser* in the *Purchaser's* bid evaluation, bid comparison or contract award decisions may result in rejection of the bidders bid.

F. Award of Contract

25. Post Qualification

- 25.1 In the absence of pre-qualification, the *Purchaser* will determine to its satisfaction whether the bidder that is selected as having submitted the lowest evaluated responsive bid meets the criteria specified in ITB Clause 11.2 (b) and is qualified to perform the contract satisfactorily.
- 25.2 The determination will take into account the bidders financial, technical and production capabilities. It will be based upon an examination of the documentary evidence of the bidders qualifications submitted by the bidder, pursuant to ITB Clause 11 as well as such other information as the *Purchaser* deems necessary and appropriate.
- 25.3 An affirmative determination will be a prerequisite for award of the contract to the bidder. A negative determination will result in rejection of the bidders bid, in which event the *Purchaser* will proceed to the next lowest evaluated bid to make a similar determination of that bidders capability to perform satisfactorily.

26. Award Criteria

- 26.1 Subject to ITB Clause 28, the *Purchaser* will award the contract to the successful bidder whose bid has been determined to be substantially responsive and has been determined as the lowest evaluated bid, provided further that the bidder is determined to be qualified to perform the contract satisfactorily.

27. Purchaser's right to vary quantities at time of award

- 27.1 The *Purchaser* reserves the right at the time of award of contract to increase or decrease the quantity of goods and services originally specified in the schedule of requirements without any change in unit price or other terms and conditions.

28. Purchaser's right to accept any bid and to reject any or all bids

- 28.1 The *Purchaser* reserves the right to accept or reject any bid, and to annul the bidding process and reject all bids at any time prior to award of contract, without thereby incurring any liability to the affected bidder or bidders or any obligation to inform the affected bidder or bidders of the grounds for the purchasers action.

29. Notification of Award

- 29.1 Prior to the expiration of the period of bid validity, the *Purchaser* will notify the successful bidder in writing by registered letter or by cable or telex, to be confirmed, that its bid had been accepted.
- 29.2 The notification of award will constitute the formation of the contract.
- 29.3 Upon the successful bidders furnishing of performance security pursuant to ITB Clause 31, the *Purchaser* will promptly notify each unsuccessful bidder and will discharge its bid security, pursuant to ITB Clause 13.

30. Signing of Contract

- 30.1 At the same time as the *Purchaser* notifies the successful bidder that its bid has been accepted, the *Purchaser* will send the bidder the contract form provided in the bidding documents, incorporating all agreements between the parties.
- 30.2 Within 15 days of receipt of notification of award, the successful bidder shall sign and date the contract and return it to the *Purchaser*.

31. Performance Security

- 31.1 Within 15 days of the receipt of notification of award from the *Purchaser*, the successful bidder shall furnish the performance security in accordance with the conditions of contract, in the performance security form provided in the bidding documents or in another form acceptable to the *Purchaser*.
- 31.2 Failure of the successful bidder to comply with the requirement of ITB Clause 30 or ITB Clause 31 shall constitute sufficient grounds for the annulment of the award and forfeiture of the bid security, in which event the *Purchaser* may make the award to the next lowest evaluated bidder or call for new bids.

Section III: General Conditions of Contract
Table of Clauses

Clause no.	Topic number
1.	Definitions
2.	Application
3.	Standards
4.	Use of Contract Documents and Information
5.	Patent Rights
6.	Performance Security
7.	Inspection and Tests
8.	Packing
9.	Delivery and Documents
10.	Insurance
11.	Transportation
12.	Incidental Services
13.	Spare Parts
14.	Comprehensive Warranty
15.	Payment
16.	Prices
17.	Change Orders
18.	Contract Amendments
19.	Assignment
20.	Subcontracts
21.	Delays in Supplier's Performance
22.	Liquidated Damages
23.	Termination for Default
24.	Force Majeure
25.	Termination by Insolvency
26.	Termination for Convenience
27.	Resolution of Disputes
28.	Governing Language
29.	Applicable Law
30.	Notice
31.	Taxes and Duties
32.	Training / Capacity Building

1. Definitions

1.1 In this contract the following terms shall be interpreted as indicated:

- (a) "The Contract" means the agreement entered into between the *Purchaser* and the Supplier as recorded in the Contract Form signed by the parties, including all the attachments and appendices thereto and all documents incorporated by reference therein;
- (b) "The Contract Price" means the price payable to the Supplier under the Contract for the full and proper performance of its contractual obligations;
- (c) "The Goods" means all the equipment, machinery, and/or other materials which the Supplier is required to supply to the *Purchaser* under the Contract;
- (d) "Services" means services ancillary to the supply of the Goods, such as transportation and insurance, and other incidental services, such as installation, commissioning, provision of technical assistance, training and other obligations of the Supplier covered under the contract;
- (e) "GCC" means the General Conditions of Contract contained in this section.
- (f) "SCC" means the Special Conditions of Contract.
- (g) "The *Purchaser*" means the Organization purchasing the Goods, as named in SCC;
- (h) "The Supplier" means the individual or firm supplying the Goods under this Contract;
- (i) "The Project Site", where applicable means the place or places named in SCC.
- (j) "Day" means calendar day.
- (k) Delivery period means the period applicable upto completion of supply, installation, testing and commissioning of the equipment by the "*Supplier*" at the Project site and accepted by the "*Purchaser*"

2. Application

2.1 These General Conditions shall apply to the extent that they are not superseded by provisions in other parts of the Contract.

3. Standards

3.1 The Goods supplied under this Contract shall conform to the standards mentioned in the Technical Specifications, and, when no applicable standard is mentioned, to the authoritative standard appropriate to the Goods country or origin and such standards shall be the latest issued by the concerned institution.

4. Use of Contract Documents and Information

4.1 The Supplier shall not, without the *Purchaser's* prior written consent, disclose the Contract, or any provision thereof, or any specification, plan, drawing, pattern, sample or information furnished by or on behalf of the *Purchaser* in connection therewith, to any person other than a person employed by the Supplier in performance of the Contract. Disclosure to any such employed person shall be made in confidence and shall extend only so far as may be necessary for purposes of such performance.

4.2 The Supplier shall not, without the *Purchaser's* prior written consent, make use of any document or information enumerated in GCC Clause 4.1 except for purposes of performing the Contract.

4.3 Any document, other than the Contract itself, enumerated in GCC clause 4.1 shall remain the property of the *Purchaser* and shall be returned (in all copies) to the *Purchaser* on completion of the supplier's performance under the Contract if so required by the *Purchaser*.

5. Patent Rights

5.1 The Supplier shall indemnify the *Purchaser* against all third-party claims of infringement of patent, trademark or industrial design rights arising from use of the Goods or any part thereof in India.

6. Performance Security

- 6.1 Within 15 days after the Supplier's receipt of notification of award of the Contract, the Supplier shall furnish performance security to the *Purchaser* in the amount specified in the Special Conditions of Contract.
- 6.2 The proceeds of the performance security shall be payable to the *Purchaser* as compensation for any loss resulting from the Supplier's failure to complete its obligations under the Contract.
- 6.3 The Performance Security shall be denominated in Indian Rupees and shall be in one of the following forms:
 - (a) A Bank guarantee issued by a nationalized/ scheduled bank located in India and in the form provided in the bidding Documents or any other form acceptable to the *Purchaser*; or
 - (b) A demand draft.
- 6.4 The performance security will be discharged by the *Purchaser* and returned to the Supplier not later than 30 days following the date of completion of the Supplier's performance obligations, including any warranty obligations, unless specified otherwise in SCC

7. Inspection and Tests

- 7.1 The *Purchaser* or its representative shall have the right to inspect and/or to test the Goods to confirm their conformity to the Contract at no extra cost of the *Purchaser*. The Special conditions of Contract and/or the Technical Specifications shall specify what inspections and tests the *Purchaser* requires and where they are to be conducted. The *Purchaser* shall notify the Supplier in writing of the identity of any representatives retained for these purposes.
- 7.2 The inspections and test may be conducted on the premises of the Supplier or its subcontractor(s), at point of delivery and/or at the Goods final destination. Where conducted on the premises of the Supplier or its subcontractor(s), all reasonable facilities and assistance including access to drawings and production data - shall be furnished to the inspectors at no charge to the *Purchaser*.
- 7.3 Should any inspected or tested Goods fail to conform to the specifications, the *Purchaser* may reject them and the Supplier shall either replace the rejected Goods or make all alternations necessary to meet specification requirements free of cost to the *Purchaser*.
- 7.4 The Purchasers right to inspect, test and, where necessary, reject the Goods' arrival in at site shall in no way be limited or waived by reason of the Goods having previously been inspected, tested and passed by the *Purchaser* or its representative prior to the Goods dispatched.
- 7.5 Nothing in GCC Clause 7 shall in any way release the Supplier from any warranty or other obligations under this Contract.

8.0 Packing

- 8.1 The Supplier shall provide such packing of the Goods as is required to prevent their damage or deterioration during transit to their final destination as indicated in the Contract. The packing shall be sufficient to withstand, without limitation, rough handling during transit and exposure to extreme temperatures, salt and precipitation during transit and open storage. Packing case size and weights shall take into consideration, Where appropriate, the remoteness of the Goods final destination and the absence of heavy handling facilities at all points in transit.
- 8.2 The packing, marking and documentation within and outside the packages shall comply strictly with such special requirements as shall be provided for in the Contract including additional requirements, if any, specified in SCC and in any subsequent instructions ordered by the *Purchaser*.

9. Delivery and Documents

9.1 Delivery of the Goods shall be made by the Supplier in accordance with the terms specified by the *Purchaser* in the Notification of Award. The details of dispatching and/or other documents to be furnished by the supplier are specified in SCC.

10. Insurance

10.1 The Goods Supplied under the Contract shall be fully insured in Indian Rupees against the loss or damage incidental to manufacture or acquisition, transportation, storage and delivery in the manner specified in the Special Conditions of Contract.

11. Transportation

11.1 Where the Supplier is required under the Contract to transport the Goods to a specified place of destination within the India defined as Project site, transport to such place of destination in India insurance, as shall be specified in the Contract, shall be arranged by the Supplier, and the related cost shall be included in the Contract Price.

12. Incidental Services

12.1 The supplier may be required to provide any or all of the following services, including additional services, if any, specified in SCC:

- (a) Performance or supervision of the on-site assembly and/or start-up of the supplied Goods;
- (b) furnishing of tools required for assembly and/or maintenance of the supplied Goods;
- (c) furnishing of detailed operations and maintenance manual for each appropriate unit of supplied Goods.
- (d) performance or supervision or maintenance and/or repair of the supplied Goods, for a period of time agreed by the parties, provided that this service shall not relieve the Supplier of any warranty obligations under this Contract; and
- (e) training of the *Purchaser's* Personnel, at the Supplier's plant and/or on-site, in assembly, start-up, operation, maintenance and/or repair of the supplied Goods.

12.2 Prices charged by the Supplier for incidental services, if not included in the contract Price of the Goods, shall be agreed upon in advance by the parties and shall not exceed the prevailing rates charged to other parties by the Supplier for similar services.

13. Spare Parts

13.1 As specified in the Special Conditions of Contract, the Supplier may be required to provide any or all of the following materials and notifications and information pertaining to spare parts manufactured or distributed by the Supplier:

- (a) Such spare parts as the *Purchaser* may elect to purchase from the Supplier, providing that this election shall not relieve the Supplier of any warranty obligations under the Contract; and
- (b) In the event of termination of production of the spare parts:
 - (i) advance notification to the *Purchaser* of the pending termination, in sufficient time to permit the *Purchaser* to procure needed requirements; and
 - (ii) following such termination, furnishing at no cost to the *Purchaser*, the blueprints, drawings and specifications of the spare parts, if and when requested.

14. Comprehensive Warranty

- 14.1 The Supplier warrants that the Goods supplied under this Contract are new, unused, of the most recent or current models and incorporate all recent improvements in design and materials unless provided otherwise in the Contract. The supplier further warrants that the Goods supplied under this Contract shall have no defect arising from design, materials or workmanship (except when the design and/or material is required by the *Purchaser's* specifications) or from any act or omission of the Supplier, that may develop under normal use of the supplied Goods in conditions obtaining in the country of final destination.
- 14.2 The comprehensive warranty shall remain **valid for three years** from the date of commissioning of system.
- 14.3 The *Purchaser* shall promptly notify the supplier in writing of any claims arising under this warranty.
- 14.4 Upon receipt of such notice, the Supplier shall, within the period specified in SCC and with all reasonable speed, repair or replace the defective Goods or parts thereof, without cost to the *Purchaser*.
- 14.5 If the Supplier, having been notified, fails to remedy the defect(s) within the period specified in SCC within a reasonable period, the *Purchaser* may proceed to take such remedial action as may be necessary, at the Supplier's risk and expense and without prejudice to any other rights which the *Purchaser* may have against the Supplier under the contract.

15. Payment

- 15.1 The method and conditions of payment to be made to the Supplier under the Contract shall be specified in the Special Conditions of Contract.
- 15.2 The Suppliers request(s) for payment shall be made to the *Purchaser* in writing, accompanied by an invoice describing, as appropriate, the Goods delivered and after satisfying supply, installing, demonstration & training to staffs, submitted pursuant to GCC Clause 9, and upon fulfillment of other obligations stipulated in the contract.
- 15.3 Payment shall be made promptly by the *Purchaser* but in no case later than sixty (60) days after submission of the invoice / claim by the Supplier from the date of Commissioning of system.
- 15.4 Payment shall be made in Indian Rupees / through LC

16. Prices

- 16.1 Prices charged by the Supplier for Goods delivered and Services performed under the Contract shall not vary from the prices quoted by the Supplier in its bid, with the exception of any prices adjustments authorized in the special Conditions of Contract or in the *Purchaser's* request for bid validity extensions, as the case may be.

17. Change Orders

- 17.1 The *Purchaser* may at any time by written order given to the Supplier pursuant to GCC Clause 30, make changes within the general scope of the Contract in any one or more of the following:
- (a) drawings, designs or specifications, where Goods to be furnished under the Contract are to be specifically manufactured for the *Purchaser*;
 - (b) the method of shipping or packing
 - (a) the place of delivery; or
 - (b) the services to be provided by the Supplier.
- 17.2 If any such changes causes an increase or decrease in the cost of, or the time required for, the Supplier's performance of any provisions under the Contract, an equitable adjustment shall be made in the Contract Price or delivery schedule, or both, and the Contract shall accordingly be amended. Any claims by the Supplier for adjustment under this clause must be asserted within thirty (30) days from the date of the Supplier's receipt of the *Purchaser's* change order.

18. Contract Amendments

18.1 Subject to GCC Clause 17, no variation in or modification of the terms of the Contract shall be made except by written amendment signed by the parties.

19. Assignment

19.1 The Supplier shall not assign, in whole or in part, its obligations to perform under the contract, except with the *Purchaser's* prior written consent.

20. Subcontracts

20.1 The supplier shall notify the *Purchaser* in writing of all subcontracts awarded under the contract if not already specified in his bid. Such notification, in his original bid or later, shall not relieve the Supplier from any liability or obligation under the contract.

21. Delays in the Supplier's Performance

21.1 Delivery of the Goods and performance of the Services shall be made by the Supplier in accordance with the time schedule specified by the *Purchaser* in its Schedule of Requirements.

21.2 If at any time during the performance of the Contract, the Supplier or its subcontractor(s) should encounter conditions impeding timely delivery of the goods and performance of the Services, the Supplier shall promptly notify the *Purchaser* in writing of the fact of the delay, its likely duration and its cause(s). As soon as practicable after receipt of the Supplier's notice, the *Purchaser* shall evaluate the situation and may at its discretion extend the Supplier's time for performance with or without liquidated damages, in which case the extension shall be ratified by the parties by amendment of the Contract.

21.3 Except as provided under GCC Clause 24, a delay by the Supplier in the performance of its delivery obligation shall render the supplier liable to the imposition of liquidated damages pursuant to GCC Clause 22, unless any extension of time is agreed upon pursuant to GCC clause 21.2 without the application of liquidated damages.

22. Liquidated Damages

22.1 Subject to GCC Clause 24, if the Supplier fails to deliver any or all of the Goods or to perform the Services within the period(s) specified in the Contract, the *Purchaser* shall, without prejudice to its other remedies under the Contract, deduct from the Contract Price, as liquidated damages, a sum equivalent to the percentage specified in SCC of the delivered price of the delayed Goods or unperformed Services for each week or part thereof of delay until actual delivery or performance, up to a maximum deduction of the percentage specified in the SCC. Once the maximum is reached, the *Purchaser* may consider termination of the Contract pursuant to GCC Clause 23.

23. Termination by Default

23.1 The *Purchaser* may, without prejudice to any other remedy for breach of contract, by written notice of default sent to the supplier, terminate the Contract in whole or part;

(a) if the Supplier fails to deliver any or all of the goods within the time period(s) specified in the Contract, or within any extension thereof granted by the *Purchaser* pursuant to clause 21; or

(b) if the Supplier fails to perform any other obligation(s) under the Contract.

23.2 In the event the *Purchaser* terminates the Contract in whole or in part, pursuant to GCC Clause 23.1, the *Purchaser* may procure, upon such terms and in such manner as it deems appropriate, Goods or Services similar to those undelivered, and the Supplier shall be liable to the *Purchaser* for any excess costs for such similar Goods. However, the Supplier shall continue the performance of the Contract to the extent not terminated.

24. Force Majeure

- 24.1 Notwithstanding the provisions of GCC Clauses 21,22,23, the Supplier shall not be liable for forfeiture of its performance security, liquidation damages or termination for default, if and to the extent that, its delay in performance or other failure to perform its obligations under the Contract is the result of an event of Force Majeure.
- 24.2 For purposes of this Clause "Force Majeure" means an event beyond the control of the Supplier and not involving the Supplier's fault or negligence and not foreseeable. Such events may include, but are not limited to, acts of the *Purchaser* either in its sovereign or contractual capacity, wars or revolutions, fires, floods, epidemics, quarantine restrictions and freight embargoes.
- 24.3 If a Force Majeure situation arises, the Supplier shall promptly notify the *Purchaser* in writing of such conditions and the cause thereof. Unless otherwise directed by the *Purchaser* in writing, the Supplier shall continue to perform its obligations under the Contract as far as is reasonably practical, and shall seek all reasonable alternative means for performance not prevented by the force majeure event.

25. Termination for Insolvency

- 25.1 The *Purchaser* may at any time terminate the Contract by giving written notice to the Supplier, if the Supplier becomes bankrupt or otherwise insolvent. In this event, termination will be without compensation to the Supplier, provided that such termination will not prejudice or affect any right of action or remedy which has accrued or will accrue thereafter to the *Purchaser*.

26. Termination for Convenience

- 26.1 The *Purchaser*, may by written notice sent to the Supplier, may terminate the Contract, in whole or in part, at any time for its convenience. The notice of termination shall specify that termination is for the *Purchaser's* convenience, the extent to which performance of work under the Contract is terminated, and the date upon which such termination becomes effective.

27. Resolution of Disputes

- 27.1 The *Purchaser* and the supplier shall make every effort to resolve amicably by direct informal negotiation any disagreement or dispute arising between them under or in connection with the Contract.
- 27.2 If, after thirty (30) days from the commencement of such informal negotiations, the *Purchaser* and the Supplier have been unable to resolve amicably a Contract dispute, either party may require that the dispute be referred for resolution to the formal mechanisms specified in the Special Conditions of Contract. These mechanisms may include, but or not limited to, conciliation mediated by a third Party, adjudication in an agreed national forum, and national arbitration.

28. Governing Language

- 28.1 The contract shall be written in English language. Subject to Clause 29, English language version of the Contract shall govern its interpretation. All correspondence and documents pertaining to the Contract which are exchanged by the parties shall be written in the same language.

29. Applicable Law

- 29.1 The Contract shall be interpreted in accordance with the laws of the Union of India.

30. Notice

- 30.1 Any notice given by one party to the other pursuant to this Contract shall be sent to other party in writing or by cable, telex and confirmed in writing to the other Party's address specified in Special Conditions of Contract.
- 30.2 A notice shall be effective when delivered or on the notice's effective date, whichever is later.

31. Taxes and Duties

31.1. Suppliers shall be entirely responsible for all taxes, duties, license fees, octroi, road permits, etc., incurred until delivery of the contracted Goods to the *Purchaser*. However, Sales tax (not surcharge in lieu of Sales tax) in respect of the transaction between the *Purchaser* and the Supplier shall be payable extra, if so stipulated in the Notification of Award.

32. Training/ Capacity Building

32.1 Suppliers have to provide hands-on-exposure on Whole cane harvesting System maintenance & functional operation of the equipments to at least 5 technical persons working in the scheme.

Section IV: Special Conditions of Contract**Table of Clauses**

(The corresponding Clause number of the General Conditions is in parentheses)

Clause no.	Topic number
1.	Definitions (Clause 1)
2.	Performance Security (Clause 6)
3.	Inspection and Tests (Clause 7)
4.	Packing (Clause 8)
5.	Delivery and Documents (Clause 9)
6.	Insurance (Clause 10)
7.	Incidental Services (Clause 12)
8.	Spare Parts (Clause 13)
9.	Comprehensive Warranty (Clause 14)
10.	Payment (Clause 15)
11.	Prices (Clause 16)
12.	Sub Contract (Clause 20)
13.	Liquidated Damages (Clause 22)
14.	Resolution of Disputes (Clause 27)
15.	Notices (Clause 30)
16.	Annual Maintenance Contract
17.	Enclosures to Bid

Section IV: Special Conditions of Contract

The following Special Conditions of Contract shall supplement the General Conditions of Contract. Whenever there is a conflict, the provisions herein shall prevail over those in the General Conditions of contract. The Corresponding clause number of the General Conditions is indicated in parentheses.

1. Definitions (GCC Clause 1)

(a) The *Purchaser* is **The Dean, Agricultural Engineering College and Research Institute, Tamil Nadu Agricultural University, Kumulur, Trichy-621 712.**

(b) The Supplier is.....

(c) Project site is the place(s) mentioned in the **Schedule of Requirements**

2. Performance Security (GCC Clause 6)

2.1 Substitute Clause 6.1 of GCC by the following:

Within 15 days after the Supplier's receipt of Notification of Award, the Supplier shall furnish performance Security to the *Purchaser* for **an amount of 5% of the total bill of cost** for a period of three years (up to the comprehensive warranty period)

2.2 Substitute Clause 6.3 (b) of GCC by the following:

A cashier's cheque or banker's certified cheque or crossed demand draft or pay order drawn in favour of the *Purchaser*.

2.3 Substitute Clause 6.4 of the GCC by the following:

The Performance Security will be discharged by the *Purchaser* and returned to the Supplier not later than 2 years following the date of completion of the Supplier's performance obligations, including the warranty obligations, under the Contract.

2.4 Add Clause 6.5 to the GCC of the following:

In the event of any contract amendment, the supplier shall, within 15 days of receipt of such amendment, furnish the amendment to the Performance Security, rendering the same valid for the duration of the Contract, as amended for further period of two years thereafter.

3. Inspection and Tests (GCC Clause 7)

The following inspection procedures and tests are required by the *Purchaser*;

a) The supplier shall get each equipment inspected in manufacturer's works and submit a test certificate and also guarantee/warranty certificate that the equipment conforms to laid down specifications.

b) The *Purchaser* or its representative shall inspect and/or test any or all the equipment to confirm their conformity to the Contract specifications, prior to despatch from the manufacturer's premises. Such inspection and clearance will not prejudice the right of the consignee to inspect and test the equipment on receipt at destination.

c) If the equipment fails to meet the laid down specifications the supplier shall take immediate steps to remedy the deficiency or replace the defective equipment to the satisfaction of the *Purchaser*.

4. Packing (GCC Clause 8)

Add as Clause 8.3 of the GCC the following:

Packing Instruction: The Supplier will be required to mark separate packages for each consignee. Each package will be marked on three sides with proper paint/indelible ink, the following:

i) Project ii) Contract No. iii) Supplier's Name iv) Packing list reference number

5. Delivery and Documents (GCC Clause 9)

Upon delivery of the Goods, the Supplier shall notify the *Purchaser* and the Insurance Company by cable or Telex or fax the full details of shipment including the Contract number, railway receipt number and date, description of Goods, quantity, names of the consignee etc.

Delivery should be made to the following addresses

**Agricultural Engineering College and Research Institute,
Kumulur, Trichy-621 712.**

The Supplier shall mail the following documents to the *Purchaser*, with a copy to the Insurance Company.

- (i) Three Copies of Supplier invoice showing Goods description, quantity, unit price, total amount;
- (ii) Railway receipt/acknowledgment of receipt of goods from the Consignee(s)
- (iii) Insurance Certificate;
- (iv) Manufacturer's/ Supplier's warranty and test Certificate;
- (v) Inspection Certificate issued by the nominated inspection agency, and the Supplier's factory inspection report;

The above documents shall be received by the *Purchaser* before arrival of Goods (except where the Goods have been delivered directly to the Consignee with all documents) and, if not received, the supplier will be responsible for any consequent expenses.

6. Insurance (GCC Clause 10)

For delivery of goods at site, the insurance shall be obtained by the Supplier in an amount equal to 110% of the value of the goods from "Warehouse to Warehouse" (Final destinations) on "All Risks" basis including War Risks and Strike.

7. Incidental Service (GCC Clause 12)

The following services covered under Clause 12 shall be furnished and the cost shall be included in the contract price:

- (a) Unloading, safe storage and handling of consignment of site.
- (b) On site assembly if any of the supplied goods, installation, testing and commissioning of the equipment.
- (c) Furnishing of detailed operations and maintenance manual for each appropriate unit of supplied Goods;

8. Spare parts (GCC Clause 13)

Add as Clause 13.2 to the GCC the following:

Supplier shall carry sufficient inventories to assure prompt replacement of defective parts immediately during the guarantee as well as maintenance period covered under comprehensive maintenance contract.

9. Comprehensive Warranty (GCC Clause 14)

The Supplier shall, in addition, comply with the performance and/ or consumption guarantees specified under the contract. If for reasons attributable to the Supplier, these guarantees are not attained in whole or in part, the Supplier shall at its discretion either:

- (a) Make such changes, modifications, and/or additions to the Goods or any part thereof as may be necessary in order to attain the contractual guarantees specified in the Contract at its own cost and expense and to carry out further performance tests in accordance with SCC 3:

10. Payment (GCC Clause 15)

Payment for Goods and Services shall be made in Indian Rupees /Foreign currency after satisfactory supply, installation, demonstration and training to staffs.

11. Prices (GCC Clause 16)

Substitute Clause 16.1 of the GCC with the following:

Prices payable to the Supplier as stated in the Contract shall not be subject to adjustment during performance of the Contract.

12. Sub-Contract (Clause 20)

Add at the end of sub-clause 20.1 the following:

Sub-contract shall be only for bought-out items and sub-assemblies.

13. Liquidated Damages (GCC Clause 22)

13.1 For delays:

Substitute GCC Clause 22.1 by the following

Subject to Clause 24, if the Supplier fails to deliver any or all of the Goods or perform of services within the time period(s) specified in the Contract, the *Purchaser* shall without prejudice to its other remedies under the Contract, deduct from the Contract Price, as liquidated damages, a sum equivalent to 0.5 percent of the delivered price of the delayed Goods or unperformed Services for each week of delay or part thereof until actual delivery or performance, up to a maximum deduction of 10 percent of the delayed Goods or Services contract price. Once the maximum is reached, the *Purchaser* may consider termination of the Contract.

14. Resolution of Disputes (GCC Clause 27)

Add as GCC Clauses 27.3 and 27.4 the following:

27.3 The dispute resolution mechanism to be applied pursuant to GCC Clause 27 shall be as follows:

(a) In the case of a dispute or difference arising between the *Purchaser* and a Supplier relating to any matter arising out of or connected with this agreement, such dispute or difference shall be settled in accordance with the Arbitration and Conciliation Act 1996 the Arbitral Tribunal shall consist of 3 Arbitrator, one each to be nominated by the *Purchaser* and the supplier. The third Arbitrator shall be chosen by the two Arbitrators so appointed by the parties and shall act as Presiding Arbitrator. In case of failure of the two Arbitrator appointed by the parties to reach upon a consensus with in a period of 30 days from the appointment of the Arbitrator appointed subsequently, the Presiding Arbitrator shall be appointed by the President of Institute of Engineers (India).

27.4 The venue of arbitration shall be the place from where the Contract is issued (ie.) **Coimbatore.**

15. Notices (clause 30)

For the purpose of all notices, the following shall be the address of the *Purchaser* and Supplier.

Purchaser: **The Dean,**

**Agricultural Engineering College and research institute,
Tamil Nadu Agricultural University,
Kumulur,Trichy-621 712.**

Supplier:

(To be filled in at the time of Contract signature)

16. Annual Maintenance Contract (AMC):

- 16.1 Any major repair pointed out by the *Purchaser* shall be rectified by the Supplier from the date of intimation within a period of 3 calendar days and commission the equipment to the satisfaction of the Purchaser. Failing which the Purchaser has a right to levy a penalty on the Supplier a sum of Rs.5000/- per day or part thereof for each equipment until the equipments are repaired and commissioned to the satisfaction of the Purchaser.
- 16.2 The Supplier shall indicate clearly the free guarantee maintenance of the whole system supplied by the Supplier and the same should not be less than 1 year.
- 16.3 The Supplier shall also indicate separately AMC of the entire system for 3 years subsequent to comprehensive warranty period and shall clearly indicate year wise maintenance cost.

17. Enclosures to Bid:

17.1 Technical bid (Cover A):

Technical Bid shall include the duly filled up Tender documents along with

- a) Bid Security
- b) Duly attested copy of License if any, approved by the concerned Licensing Authority.
- c) For Importers Photocopy of License renewed upto date.
- d) Documentary evidence of constitution of firm such as Memorandum of Articles, Partnership Deed, etc., with details of Name, Address, Tel. No., Fax No., E-mail Address of firm and the Managing Director / Partner / Proprietor.
- e) Authorization of senior responsible officer of the Company to transact business.
- f) Annual turnover statement for three years 2013-14, 2014-15 and 2015-16 certified by the Auditor.
- g) Copies of Balance Sheet and Profit & Loss Account for three years certified by the Auditors.
- h) I.T. Clearance Certificate as on latest.
- i) Qualification Criteria - Section VI-A
- j) Performance Statement - Section XI
- k) Manufacturer's Authorization Form - Section XII
- l) Technical literature and other documents in support of the goods / services.
- m) Any deviations
- n) List of items quoted (without prices)

17.2 Price Bid (Cover B):

Price bid shall include

- a) Duly filled in Price Schedule - Section VII
Please note that the Bidder run the risk of his bid being rejected if the Price Schedule contains any conditions.

Section V: Schedule of Requirements

Sl.No.	Brief Description	Delivery Schedule	Bid Security, Rs.
1.	Drip and sprinkler irrigation and automation units	Within 2 months from the date of issue of supply order	Rs. 17000/-

WORK-I- AUTOMATED DRIP, SPRINKLER IRRIGATION SYSTEM

Completely automated irrigation cum fertigation system is required for precise application of irrigation water and fertilizer for paddy. Total area of cultivation 0.35 acre. Field need to be irrigated by volume based water supply, based on TDR based soil moisture sensor's preset moisture depletion percentage.

Five plots of paddy crop with each plot size of 40 m x 7 m is considered. Irrigation based on sensor signal need to be given through valve, which is operated by the controller. Quantity of water supply to bring the root zone to desired soil moisture level must be, based on the selected irrigation programme. Valves and sensor should communicate with controller which may be 200-1500 m away from the field (wireless).

Provision to connect one submain with 4 Sprinkler, each at 10 m spacing to irrigate a part of the same field is required, as an option to use based on the future requirement.

EC and pH based fully automated fertigation system along with 2 dosing channel and 1 acid injection for fertigation is required. Complete automation of sand and disc filters are required. Automatic On/Off of irrigation pump based on sensor signal is required. From controller, provision to connect a personal computer to retrieve the data and to send the irrigation/fertigation programme is required.

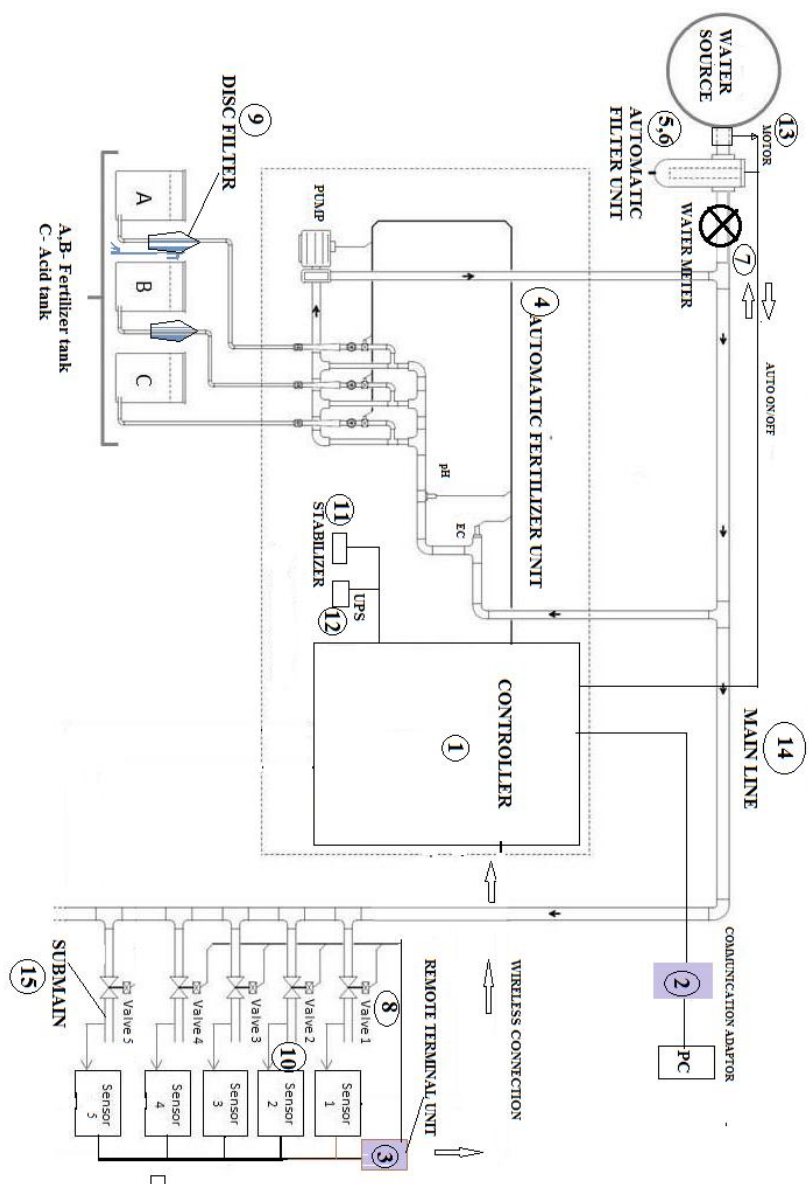
Based on the above description the identified automation components of drip, Sprinkler irrigation system along with specification are listed below.

WORK-II- DRIP IRRIGATION SYSTEM WITH ACCESSORIES

Automation of volume based irrigation need to be applied without controller for lemon crop. Total area of 0.35 acre is divided into 4 plots of each 40 m x 9 m. Based on the above description the identified automation components of irrigation system along with specification are listed below.

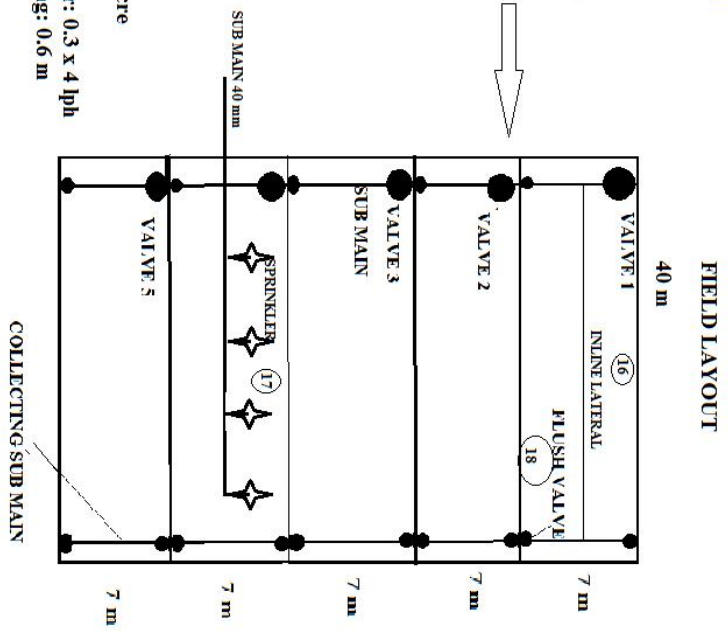
Unidentified components to achieve the above said criteria for work I & II may be added in addition, along with justification.

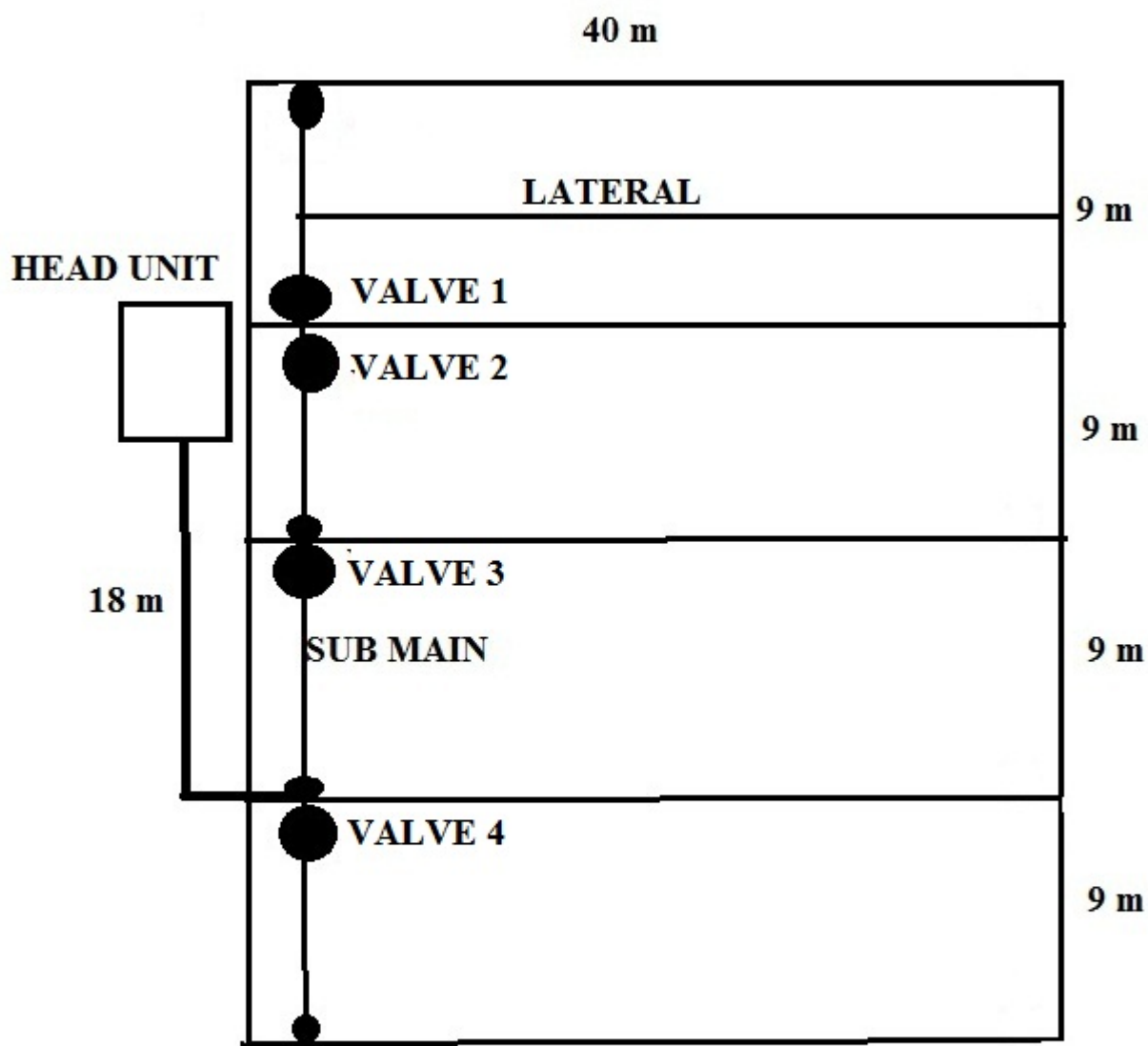
WORK-1 AUTOMATION COMPONENTS



A, B - Fertilizer tank
C - Acid tank

Area: 0.35 acre
crop: Paddy
Inline emitter: 0.3 x 4 lph
lateral spacing: 0.6 m





Area: 0.35 acre
crop: lemon
inline emitter: 0.6x 4 lph

S.No	Item Description			Cost (Rs. In lakhs)
		Unit	Quantity	
	Work 1 – Drip, Sprinkler irrigation and automation units			
1	Irrigation Controller –wireless	No.	1	15 lakhs
2	Communication adapter with Human Machine Interface	No.	1	
3	Remote terminal unit with solar panel, internal battery & Poles for antenna mounting	No.	as required	
4	EC/pH based fertigation unit with 2 fertilizer injectors and 1 acid injector	No.	1	
5	Sand Filter Fully Automatic with flow rate of 25 m ³ /h	No.	1	
6	Disc filter Fully Automatic with flow rate of 25 m ³ /h	No.	1	
7	Water meter 2” to communicate with controller	No.	1	
8	Solenoid valve for automation with DC latch 1.5”	Nos.	5	
9	Disc filter 3m ³ /h for fertilizer tank outlet	Nos.	2	
10	TDR based Analog Soil Moisture Sensor (4-20 mA)	Nos.	5	
11	Voltage stabilizer 1 KVA	No.	1	
12	Online UPS 1KVA	No.	1	
13	Electrical pump panel (Auto/Manual) for 7.5 hP	No.	1	
14	PVC Main pipe 63mm outer diameter (4Kg/Sq. Cm)	m	36	
15	PVC Submain pipe 50mm outer diameter (6Kg/Sq. Cm)	m	96	
16	PVC collecting submain pipe 40mm outer diameter (6Kg/Sq. Cm)	m	42	
17	Pressure compensating Inline lateral for subsurface drip irrigation (16mm-30cm-4lph-cl2)	m	2400	
18	Sprinkler discharge (1800 lph) with 1 m raiser pipe and 10-12 m radius of coverage at 2 ksc pressure	Sets	4	
19	PVC Flush Valve,50 mm	Nos.	6	
20	PVC Flush Valve,40 mm	Nos.	10	
21	Plain Lateral 16 mm, (2.5Kg/Sq. Cm)	m	200	
22	Start nipple 16 mm	Nos	150	
23	Rubber Grommet 16 mm	Nos	150	
24	Elbow 16 mm	Nos	150	
25	Joiner 16 mm	Nos	50	
26	63/50 mm reducer “T”	Nos	5	
27	50/40 mm reducer “T”	Nos	5	

28	Elbow 50 mm	Nos	29	
29	Elbow 40 mm	Nos	20	
30	50/40 reducer	Nos	10	
31	40/32 reducer	Nos	10	
32	40 mm MTA	Nos	5	
33	Service saddle 50 mm	Nos	5	
34	Vacuum release valve 1"	Nos	15	
35	40 mm Tee joiner	Nos	10	
36	Other fittings, electrical wires and accessories			
37	Installation Charges			
The systems should be maintained for three years under warranty with no cost for the Purchaser				

SI.No	Work 2 - Drip irrigation System with accessories			Cost (Rs. In lakhs)
1	1" Volumetric Water supply Valve	Nos.	4	2 lakhs
2	Electrical pump panel (Auto/Manual) for 7.5 hP	No.	1	
3	PVC Main 63mm (4 Kg/Sq. Cm)	m	12	
4	PVC Submain 40mm (6 Kg/Sq. Cm)	m	24	
5	Inline(16 mm-60cm-4lph-cl2)	m	800	
6	Plain Lateral 16 mm ,(2.5Kg/Sq. Cm)	m	50	
7	Flush Valve,40 mm	Nos.	4	
8	Start nipple 16 mm	Nos	25	
9	Rubber Grommet 16 mm	Nos	25	
10	Joiner 16 mm	Nos	50	
11	End cap 16 mm	Nos	25	
12	63/40 reducer "T"	Nos	4	
13	40 mm elbow	Nos	20	
14	Other fittings, electrical wires and accessories			
15	Installation Charges			
The systems should be maintained for three years under warranty with no cost for the Purchaser				

Detailed specifications are followed below:

WORK- I- DRIP, SPRINKLER IRRIGATION AND AUTOMATION UNIT SPECIFICATIONS

1. Specification for Controller

- Controller consists of CPU card, Display card, Terminal Strip, Transformer, Human Machine Interface.
- The controller can be operated directly via the controller front panel and option to remotely control by a PC program over an RS-232 link.
- EC/pH monitor and transmitter
- 16 Digital Outputs 24VAC, 16 Inputs, May set as Digital or Analog
- Facility to set “Water Before” and “Water After” for fertigation.
- Remote terminal unit need to communicate with irrigation controller through license free radio frequency band (wireless).
- Irrigation programmes
- Fertigation programmes (based on - EC/pH range)
- Need to control at least 14 Irrigation heads. Pump Overload protection required.
- Logs and Events recording required for at least 1 year
- With required cables and protective conduits

2. Specification for communication adapter

- Bidirectional communication converter to convert from RS-232 to RS-485 protocols.
- Input power supply: 230 VAC or 115 VAC. Optional voltages: 12 VDC, 24 VDC.
- Data & Programme transfer from PC to controller & controller to Personal computer.
- Necessary software to communicate with PC.

3. Specification for Remote Terminal Unit

- Remote Terminal Unit connects field valves and other devices and communicates with controller by wireless arrangement
- Solar Recharge system for RTU
- 5 Solenoid valves & 5 TDR based Analog soil moisture sensors need to be connected
- Option to connect two digital input is required.
- Pole to hold RTU and solar panel with height of 2 - 4 m & Diameter 5-8 cm based on the RTU requirement, Made up of Galvanized iron.
- With required cables for connection.

4. Specification for Automatic fertigation unit

- EC & pH based fertigation system required
- EC & pH monitor unit consisting of a transmitter with 4-20 mA output & automatic calibrating facility.
- Precise pressure sustaining valve to operate booster pump at desired duty curve.

- Software application with easy to use graphical use interface.
- Flow rate from 160 lph to 1200 lph each, 2 fertilizer dosing and one Acid injection option
- It must consist of electronic fertilizer control valve, adjustable flow regulator and a flexible suction pipe per injector
- Transmitter to communicate with controller
- Booster pump, EC & pH sampling point, Digital water meter
- Fertilizer visual flow meter, Fertilizer manual flow regulator, Fertilizer electric solenoid valve
- Vacuum Gauge, Pressure gauge, Pressure sustaining valve

5. Specification for Sand filter

- Sand filled with sufficient depth
- Fully Automatic back wash of Sand filter with flow rate 25 m³/h
- Minimum back wash pressure of 2 ksc.
- Minimum flow rate for flushing 5-10 m³/h.
- Working pressure up to 8 bar.

6. Specification for Disc filter

- Fully Automatic disc filter with flow rate 25 m³/h
- Minimum operating pressure 8 ksc.
- 120-140 microns mesh is required.

7. Specification for Water meter

- Continuous recording of water meter reading during irrigation event is required
- Minimum flow : 0.5 m³/h
- Maximum flow : 25 m³/h

8. Specification for valve

- Solenoid valve for automation with DC latch
- Flow rate : 6-10 m³/h
- Voltage : 12 V
- Resistance : 4.2 Ohm
- Switching Time : 25 -50 milli sec

9. Disc filter for fertigation system

- Flow rate 3 m³/h – 100 microns

10. Specification for Analog Sensor

- TDR based sensor
- Interface: Standard 4-20 mA,
- Supply voltage: 12 to 32 VDC continuous

- Output current: 4-20 mA
- Overvoltage protection
- Reverse polarity protection
- Settling time: 4 seconds
- Operating environment Temperature: 20 to 60° C
- Need to measure volumetric moisture content range of 5-60%

11. Specification for stabilizer

- For 1 KVA
- Short Circuit and overload protection
- Efficiency Better than 95% at Full Load.
- Over Temperature Protection.
- Different output Voltage settings.
- Output Frequency fixed at 50Hz or can be synchronized with Input Frequency.

12. Specification for UPS

- Online Sine wave UPS
- 1 KVA with not less than 100 AH maintenance free battery
- Recharge time required is 3 to 4 hours

13. Specification for electric panel

- It should be operate both single and three phase.
- It can operate voltage range of 230/415 V.
- Direct on line : upto 24 A relay rating
- Protections against :
 - Phase failure
 - Phase imbalance
 - Phase reversal
- Short Circuit Protection through MCB
- Ammeter and Voltmeter
- On/Off and Trip indications
- Powder coated enclosure
- Provision for connecting dry run preventer
- Three Phase Indicators
- Auto/Manual.(Auto to ON/OFF through external signal.)

14. Specification for mainline

- Outer diameter: 63 mm
- Pressure rating: 4 ksc

- Material : PVC

15. Specification for submain

- Outer diameter: 50 mm
- Pressure rating: 6 ksc
- Material: PVC

16. Specification for PVC collecting submain

- Outer diameter: 40 mm
- Pressure rating: 6 ksc

17. Specification for Inline lateral

- Pressure compensating inline lateral for subsurface installation
- Pressure rating: 2.5 ksc
- Pressure compensation range : 0.5-2.5 ksc
- Outer diameter: 16 mm
- Emitter spacing: 30 cm
- Discharge: 4 lph

18. Specification for sprinkler

- Sprinkler discharge (0.5 lps) with 1 m raiser pipe
- Radius of coverage: 12 m at 2..5 ksc pressure

19. Specification for flush valve

- Diameter: 50 mm
- Material: PVC

20. Specification for flush valve

- Diameter: 40 mm,
- Material: PVC

21. Specification for plain lateral

- Diameter;16 mm,
- pressure rating: 2.5 Kg/Sq.Cm
- Material: Low density polyethylene

22. Start nipple 16 mm 23. Rubber Grommet 16 mm 24. Elbow 16 mm 25. Joiner

- HDPE

26. Reducer “T” 63/50 mm, pressure rating: 6 ksc, material: PVC

- 27. Reducer “T” 50/40 mm, pressure rating: 6 ksc, material: PVC
- 28. Elbow 50 mm, pressure rating: 6 ksc, material: PVC
- 29. Elbow 40 mm, pressure rating: 6 ksc, material: PVC
- 30. Reducer 50/40 mm, pressure rating: 6 ksc, material: PVC
- 31. Reducer 40/32 mm, Pressure rating: 6ksc, material: PVC
- 32. MTA 40 mm, pressure rating: 6 ksc, material: PVC
- 33. Service saddle 50 mm, pressure rating: 6 ksc, material: PVC
- 34. Vacuum release valve 1”
- 35. Tee 40 mm, pressure rating: 6 ksc, material: PVC

WORK-II DRIP IRRIGATION SYSTEM WITH ACCESSORIES

1. Specification for volumetric water supply Valve

- Flow rate : 0.8 m³ to 25 m³
- Minimum Operating pressure 0.5-1 bar

2. Specification for electric panel

- It should be operate both single and three phase.
- It can operate voltage range of 230/415 V.
- Direct on line : upto 24 A relay rating
- Protections against :
 - Phase failure
 - Phase imbalance
 - Phase reversal
- Short Circuit Protection through MCB
- Ammeter and Voltmeter
- On/Off and Trip indications
- Powder coated enclosure for reliability
- Provision for connecting dry run preventer
- Three Phase Indicators,
- Auto/Manual. (Auto to ON/OFF through external signal.)

3. Specification for mainline

- Outer diameter: 63 mm
- Pressure rating: 4 ksc
- Material : PVC

4. Specification for submain

- Outer diameter: 40 mm
- Pressure rating: 6 ksc
- Material: PVC

5. Specification for Inline lateral

- Outer diameter: 16 mm
- Emitter spacing: 60 cm
- Discharge: 4 lph
- Pressure rating: 2.5 ksc

6. Specification for plain lateral

- Outer diameter: 16 mm
- Pressure rating: 2.5 ksc
- Material: Low density polyethylene

7. Specification for flush valve

- Diameter: 40 mm
- Material: PVC

8. Start nipple 9. Rubber Grommet 10. Joiner 16 mm 11. End cap

- 16 mm

12. Reducer “T” 63/40 mm,

- pressure rating: 6 ksc, material: PVC

13. Elbow 40 mm,

- pressure rating: 6 ksc, material: PVC

SECTION VI-A : QUALIFICATION CRITERIA (Referred to in Clause 11.2 of ITB)

- a) The bidder or the manufacturer whose product is offered by the authorised Representative must have manufactured and supplied similar equipment of the type specified in the Schedule of Requirements upto atleast 30% (rounding off to nearest whole number) of the quantity offered in any one of the last five calendar years and should be satisfactorily functioning with no adverse report for atleast two years on the date of bid opening.
- b) The bidder should furnish the information on past supplies and satisfactory performance in the Proforma given under Section - XI.

- c) Bidders shall invariably furnish documentary evidence (Client's Certificate) in support of the satisfactory operation of the equipment as specified above.
- d) The Bidder shall furnish data to support that he has the financial and production capacity to perform the contract and complete the supplies within the stipulated delivery period.

SECTION VII : BID FORM AND PRICE SCHEDULES

Date:.....
Contract No.....
To:

Gentlemen,

Having examined the Bidding Documents including Addenda Nos....., the receipt of which is hereby duly acknowledged, we, the undersigned, offer to supply and deliver

(Description of Goods and Services) in conformity with the said Bidding Documents for the sum of (Total Bid amount in Words and Figures) or such other sums as may be ascertained in accordance with the Schedule of Prices attached herewith and made part of this bid.

We undertake, if our bid is accepted, to deliver the goods in accordance with the delivery schedule specified in the Schedule of Requirements.

If our bid is accepted we will obtain the guarantee of a bank in a sum equivalent to 5% of the Contract Price for the due performance of the Contract, in the form prescribed by the *Purchaser*.

We agree to abide by this bid for a period of(Number) days from the date fixed for bid opening under Clause 20 of the Instruction to Bidders and it shall remain binding upon us and may be accepted at any time before the expiration of that period.

Until a formal contract is prepared and executed, this bid, together with your written acceptance thereof and your notification of award, shall constitute a binding Contract between us.

We understand that you are not bound to accept the lowest or any bid you may receive.

Dated this..... day of

Signature :

(in the Capacity of) :

Duly authorized to sign bid for and on behalf of

.....

	with flow rate of 25 m ³ /h											
7	Water meter 2" to communicate with controller		No.	1								
8	Solenoid valve for automation with DC latch 1.5"		Nos.	5								
9	Disc filter 3m ³ /h for fertilizer tank outlet		Nos.	2								
10	TDR based Analog Soil Moisture Sensor (4-20 mA)		Nos.	5								
11	Voltage stabilizer 1 KVA		No.	1								
12	Online UPS 1KVA		No.	1								
13	Electrical pump panel (Auto/Manual) for 7.5 hP		No.	1								
14	PVC Main pipe 63mm outer diameter (4Kg/Sq. Cm)		m	36								
15	PVC Submain pipe 50mm outer diameter (6Kg/Sq. Cm)		m	96								
16	PVC collecting submain pipe 40mm outer diameter (6Kg/Sq. Cm)		m	42								
17	Pressure compensating Inline lateral for subsurface drip irrigation (16mm-30cm-4lph-cl2)		m	2400								
18	Sprinkler discharge (1800 lph) with 1 m raiser pipe and 10-12 m radius of coverage at 2 ksc pressure		Sets	4								

19	PVC Flush Valve,50 mm		Nos.	6								
20	PVC Flush Valve,40 mm		Nos.	10								
21	Plain Lateral 16 mm ,(2.5Kg/Sq. Cm)		m	200								
22	Start nipple 16 mm		Nos	150								
23	Rubber Grommet 16 mm		Nos	150								
24	Elbow 16 mm		Nos	150								
25	Joiner 16 mm		Nos	50								
26	63/50 mm reducer "T"		Nos	5								
27	50/40 mm reducer "T"		Nos	5								
28	Elbow 50 mm		Nos	29								
29	Elbow 40 mm		Nos	20								
30	50/40 reducer		Nos	10								
31	40/32 reducer		Nos	10								
32	40 mm MTA		Nos	5								
33	Service saddle 50 mm		Nos	5								
34	Vaccuum release valve 1"		Nos	15								
35	40 mm Tee joiner		Nos	10								
36	Other fittings, electrical wires and accessories											
37	Installation Charges											
The systems should be maintained for three years under warranty with no cost for the Purchaser												

SI. No	Work 2 - Drip irrigation System with accessories													
1	1" Volumetric Water supply Valve		Nos.	4										
2	Electrical pump panel (Auto/Manual) for 7.5 hP		No.	1										
3	PVC Main 63mm (4 Kg/Sq. Cm)		m	12										
4	PVC Submain 40mm (6 Kg/Sq. Cm)		m	24										
5	Inline(16 mm-60cm-4lph-cl2)		m	800										
6	Plain Lateral 16 mm ,(2.5Kg/Sq. Cm)		m	50										
7	Flush Valve,40 mm		Nos.	4										
8	Start nipple 16 mm		Nos	25										
9	Rubber Grommet 16 mm		Nos	25										
10	Joiner 16 mm		Nos	50										
11	End cap 16 mm		Nos	25										
12	63/40 reducer "T"		Nos	4										
13	40 mm elbow		Nos	20										
14	Other fittings, electrical wires and accessories													
15	Installation Charges													
The systems should be maintained for three years under warranty with no cost for the Purchaser														

- i. **Unit price in (6) (Rs in words)**
- ii. Annual Maintenance Contract for 5 years / per year
(after comprehensive warranty period of 3 years)
- iii. Customs Duty payable if any Rs.....

Note:

- (a) In case of discrepancy between unit price and total price, the unit price shall prevail.
- (b) **This price schedule should be placed in separate sealed cover "Cover B"**

Place : Signature of Bidder.....

Date : Name

Business Address

SECTION VIII : BID SECURITY FORM

Whereas¹ (*hereinafter called "the Bidder"*) has submitted its bid dated (*date of submission of bid*) for the supply of (*name and/or description of the goods*) (herein after called "the Bid").

KNOW ALL PEOPLE by these presents that WE (*name of bank*) of (*name of country*), having our registered office at (*address of bank*) (hereinafter called "the Bank"), are bound unto (*name of purchaser*) (hereinafter called "the Purchaser") in the sum of _____ for which payment well and truly to be made to the said Purchaser, the Bank binds itself, its successors, and assigns by these presents. Sealed with the Common Seal of the said Bank this _____ day of _____ 20 _____.

THE CONDITIONS of this obligation are :

1. If the Bidder
 - a) withdraws its Bid during the period of bid validity specified by the Bidder on the Bid Form; or
 - b) does not accept the correction of errors in accordance with the ITB; or
2. If the Bidder, having been notified of the acceptance of its bid by the Purchaser during the period of bid validity :
 - a) fails or refuses to execute the Contract Form if required; or
 - b) fails or refuses to furnish the performance security, in a accordance with the Instruction to Bidders;

We undertake to pay the Purchaser up to the above amount upon receipt of its first written demand, without the Purchaser having to substantiate its demand, provided that in its demand the Purchaser will note that the amount claimed by it is due to it, owing to the occurrence of one or both of the two conditions, specifying the occurred condition or conditions.

This guarantee will remain in force up to and including forty five (45) days after the period of the bid validity, and any demand in respect thereof should reach the Bank not later than the above date.

.....
(Signature of the Bank)

¹ *Name of Bidder*

SECTION IX : CONTRACT FORM

THIS AGREEMENT is made on the day of, 20..... between(Name and Address of *Purchaser*) represented by the Managing Director, (hereinafter “the *Purchaser*”) of one part and(Name and address of **Supplier**) (hereinafter “the **Supplier**”), represented by.....(Name of the authorized signatory and designation), aged years, residing at(Full Residential Address of the signatory) of the other part:

WHEREAS the *Purchaser* is desirous that certain Goods and ancillary services should be provided by the Supplier, viz., (Brief Description of Goods and Services) and has accepted a bid by the Supplier for the supply of those goods and services in the sum of (Contract Price in Words and Figures) (hereinafter “the Contract Price”).

NOW THIS AGREEMENT WITNESSETH AS FOLLOWS:

1. In this Agreement words and expressions shall have the same meanings as are respectively assigned to them in the Conditions of Contract referred to.
2. The following documents shall be deemed to form and be read and constructed as part of this Agreement, viz.:
 - (a) the Bid Form and Price Schedule submitted by the Bidder;
 - (b) the Schedule of Requirements;
 - (c) the Technical Specifications;
 - (d) the General Conditions of Contract;
 - (e) the Special Conditions of Contract; and
 - (f) the *Purchaser*'s Notification of Award
3. In consideration of the payments to be made by the *Purchaser* to the Supplier as hereinafter mentioned, the Supplier hereby covenants with the *Purchaser* to provide the Goods and Services and to remedy defects therein in conformity in all respects with the provisions of the Contract.
4. The *Purchaser* hereby covenants to pay the Supplier in consideration of the provision of the Goods and Services and the remedying of defects therein, the Contract Price or such other sum as may become payable under the provisions of the Contract at the times and in the manner prescribed by the Contract.

BRIEF PARTICULARS OF THE GOODS AND SERVICES WHICH SHALL BE SUPPORTED / PROVIDED BY THE SUPPLIER ARE:

S.No.	Brief Description of	Quantity to be Supplied	Unit Price	Total Amount (3 x 4)	Sales Tax & other Taxes Payable
1	2	3	4	5	6

Total Value: 5 + 6
Delivery Schedule:

IN WITNESS whereof the parties hereto have caused this Agreement to be executed in accordance with their respective laws the day and year first above written.

Signed, Sealed and Delivered by the said (For the *Purchaser*)

in the presence of

Signed, Sealed and Delivered by the

said(For the Supplier) (Signature, Name, Designation and Address with office seal)

in the presence of

1. (Signature Name and Address of Witness)

2. (Signature Name and Address of Witness)

SECTION X : PERFORMANCE SECURITY FORM

To : _____ (Name of *Purchaser*)

WHEREAS (Name of the Supplier) herein called “the Supplier” has undertaken, in pursuance of Contract No..... dated, to supply (Description of Goods and Services) hereinafter called “the Contract”.

AND WHEREAS it has been stipulated by you in the said Contract that the Supplier shall furnish you with a Bank Guarantee by a recognised bank for the sum specified therein as security for compliance with the Supplier’s performance obligations in accordance with the Contract.

AND WHEREAS we have agreed to give the Supplier a Guarantee

THEREFORE WE hereby affirm that we are Guarantors and responsible to you, on behalf of the Supplier, upto a total of (Amount of the Guarantee in Words and Figures) and we undertake to pay you, upon your first written demand declaring the Supplier to be in default under the Contract and without cavil or argument, any sum or sums within the limit of (Amount of Guarantee) as aforesaid, without your needing to prove or to show grounds or reasons for your demand or the sum specified therein.

This guarantee is valid until the day of 200.

Signature and Seal of Guarantors

.....

.....

.....

Date 20

Address

.....

.....

(Please see Clause 11.2(b) (ii) of Instructions to Bidders)

SECTION XI

Proforma for Performance Statement (for a period of last five years)

Bid No.

Name of the Firm:

Order placed by (Full Address of Purchaser) (1)	Order No. and Dated (2)	Description and Quantity of ordered equipment	Value of order	Date of Completion of delivery	Remarks indicating reasons for late delivery, if any	Has the equipment been satisfactorily functioning? (Attach a certificate from the Purchaser/Consignee)
				As per Actual Contract		

Signature and Seal of the Bidder

.....

SECTION XII

(Please see Clause 11.2(a) of Instructions to Bidders)

MANUFACTURER’S AUTHORIZATION FORM

No..... dated

To

.....
.....
.....

Dear Sir,

IFB No. _____

We _____ who are established and reputable manufacturers of _____ having factories at _____ and _____ do hereby authorise M/s. _____ (Name and address of Representative) to submit a bid, and subsequently negotiate and sign the contract with you against the above IFB NO.

No company or firm or individual other than M/s. _____ are authorized to bid, negotiate and conclude the contract in regard to this business against this specific IFB.

We hereby extend our full guarantee and warranty as per Clause 14 of the General Conditions of Contract for the goods offered for supply against this invitation for bid by the above firm.

Yours faithfully,

_____ (Name)
for and on behalf of M/s. _____

(Name of manufacturers)

Note: This letter of authority should be on the letterhead of the manufacturing concern and should be signed by a person competent and having the power of attorney to bind the manufacturer.